

# P/N: 1021 COIL LOK



The Coil Lok is a hanger bracket suitable for securing coiled equipment such as hoses, ropes, chains, cables etc. The bracket can also be used to hang D-handled tools such as shovels hooks. The high strength strap is adjustable at setup and can stretch tightly conforming to the object secured.

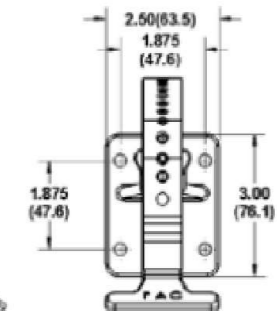
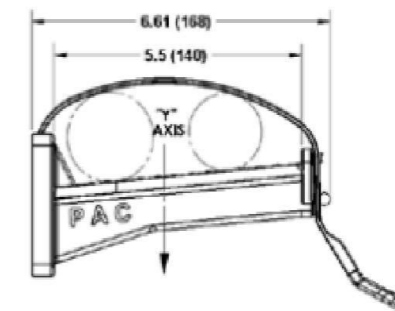
### EQUIPMENT

- Ropes, cables, chains, cords, handled equipment
- Rounds: Up to 4" (101mm) (approx.)
- Rectangular: Up to 5-1/2"(140mm)
- Irregular: Up to 5-1/2"(140mm)

### FEATURES

- The strap is easily adjusted (pre-mount) for various work holding conditions and sizes
- Multiple objects can be hung together.
- Rugged injection molded components made from high quality materials

- Weather, UV resistant
- Non-conductive
- Can be mounted horizontally
- Stainless Steel Fasteners provided
- Mounts to PAC tool boards and other flat surfaces



### SPECIFICATIONS

P/N	WT.	MAX LOAD	GRIP RANGE	HANGER RANGE	FLAME TOXICITY CHEMICAL
1021	.5lbs	30lbs	N/A	HOOKS OR STRAPS	GOOD

Performance Advantage Company Lancaster, New York www.pactoolmounts.com 888-514-0083

ITEM NO.	PART NUMBER	DESCRIPTION	QTY.
1	30186_000-R1	Pac Mounts bracket	1
2	1021	PAC MOUNTS 1021	1



Phone: (+45) 70 23 00 75  
E-mail: info@Engiso.com

	Linear tolerance	0-10	10-50	50-500	500-1000	1000-
		± 0.1	± 0.2	± 0.5	± 0.8	± 1

Created: 4. juni 2022 Ini: ANO Updated: 16. februar 2023 Ini: ANO  
Surface treatment: Approver: B.Ø.

Material: Material <not specified> Weight: 2.8 Kg

Material Cert. EN10204: Item: Pac Mounts

Unit: Metric

A3 Sheet : 6 of 11 SCALE 1:2 Drawing no.: 30186\_001-R2 Rev: